

## Mixing valve T-MIX-11-B.

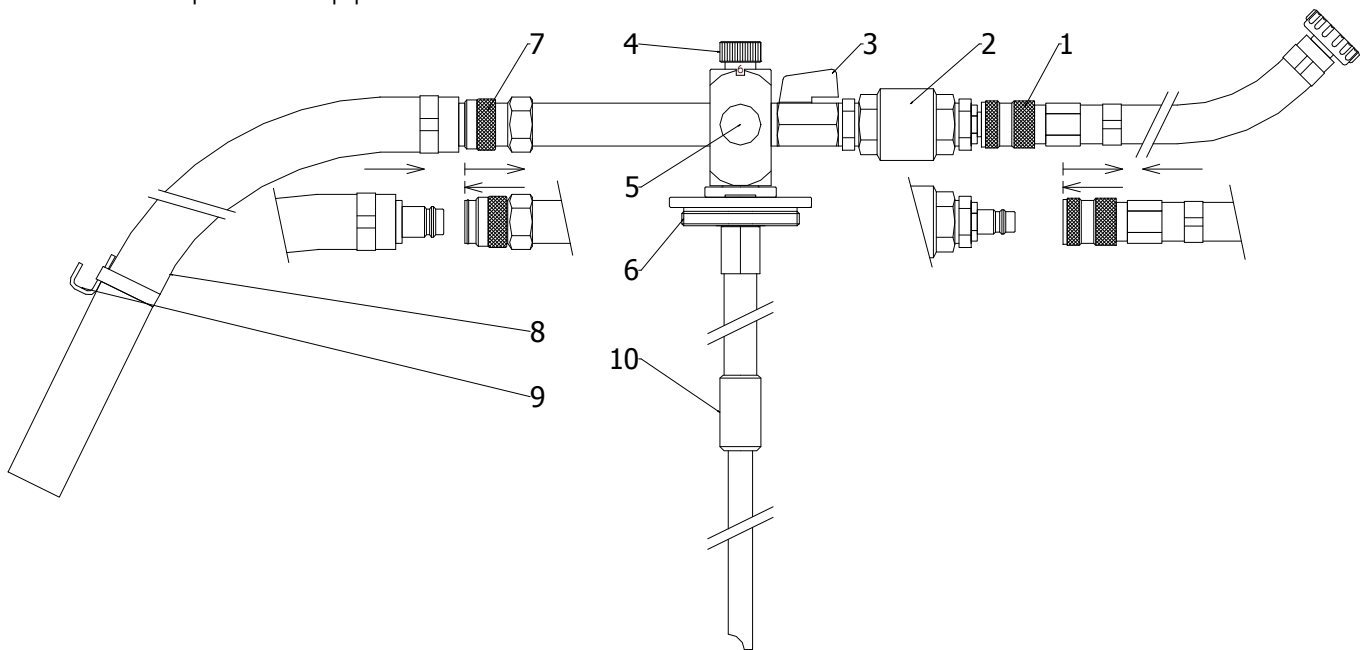
### Description:

Mixing valve T-MIX-11-B serves for mixing of water soluble concentrates in continuously controllable concentrations up to 20%. Device is dedicated for direct installation on standard steel barrel to the threaded hole G2" and ¾". Telescopic suction pipe assures utilisation for different barrel sizes. Mixing valve is provided with quick-acting couplings that enable quick and easy exchange of the barrel, what appreciates especially the service personnel. Mixing valve T-MIX-11-B is equipped also with vacuum breaker for easy emptying of outlet hose. It is equipped also with a check valve for assurance of fast concentrate suction.

Mixing valve is manufactured of aluminium alloy surface treated with anodizing and stainless steel. All other components of the mixing device are manufactured and surface treated in a way to resist corrosion and acting of oils.

### Description of activities:

1. Quick-acting coupling (Rectus25,1600/1625) for connection of water inlet through 1/2" hose to valve.
2. One-way valve.
3. Inlet ball valve.
4. Controller with relative scale for concentration setting.
5. Body of the mixing valve with logo.
6. Adapter for installation on inlet in the barrel with thread G2" or G¾".
7. Quick-acting coupling (Rectus27,CEJN417) for quick disconnection of the outlet hose.
8. Outlet hose ¾" with spiral steel carcass.
9. Hook for hanging of the outlet hose on the barrel.
10. Telescopic suction pipe.



### Technical data:

Range of operation pressures for the T-MIX-7

2,0 – 6,0 bar

Flowrate

max 1,000 l/hour

Resultant concentration

0,1 – 20 %

### Device installation and servicing

*Installation on barrel and connection to the pressure water distribution.*

Unpack the mixing valve and declutch the quick-acting coupling with linear movement of the serrated part of the quick-acting coupling [1], and connect the pressure water hose to the nozzle. Select adapter [5] with large or small thread according to the inlet on the barrel to what will be the mixer installed. Push out the telescopic pipe [9] to necessary high of the barrel with allowance of app. 2 cm. Unscrew big and small plug of the barrel. Carefully insert the mixer into the barrel, while the telescopic pipe should be positioned upright to the barrel bottom, until touches the barrel bottom. Mixer insert applying slight pressure to be possible screw it into the inlet thread. End of the suction pipe would touch the barrel bottom. Subsequently connect outlet hose [7] with move of the serrated part of the quick-acting coupling [6] in direction of its

axis and insertion of the insertion to the quick-acting coupling [6]. Close the inlet valve [2] and connect the hose with pressure water to the mixer by means of the quick-acting coupling [1]. Mixer is prepared for operation.

At repeated barrel exchange activities are limited only on disconnection and connection of inlet and outlet hoses by means of quick-acting couplings.

#### *Setting of concentration*

Concentration is set from the minimal end position. Zero concentration is set that by turning of the controller [3] clockwise you decrease the concentration until end position. Now is the concentrate inlet closed. Turn the controller counter-clockwise, and set e.g. figure "161". Position the free end of the outlet hose [7] to the tank/vessel dedicated for filling with mixed fluid to prevent its escape away from the tank. Moreover, open the inlet valve [2] turning the lever by 90°. After mixing consolidation take the sample and close the valve [2]. Measure the concentration using the refractometer. If this concentration does not match, increase or decrease the concentration, and repeat the measurement until setting requested concentration. Numeric scale is a relative one, i.e. individual figures do not directly represent concentration of inlet fluid.

Device is put into operation after setting the required concentration through inlet valve [2]. Fluid flow is interrupted by closing the valve [2]. Having closed the valve [2], hang the inlet hose [8] so that its free end be above the mixing valve body.

#### *Device maintenance.*

Device is to be maintained clean. Prior change of the concentration rinse the mixer with clean water. Set the minimal concentration through the controller [3] and position the hose [7] to the waste vessel, immerse suction pipe [9] to clean water and start/up the mixer by opening the valve [2]. Having rinsed the device, it is suitable for use in another product.

#### *Transport.*

The mixer should be cleaned prior each transport of the device in a way described in the section "Device maintenance".

### **Warning:**

- During operation take care to prevent clogging of the outlet hose!
- Do not put objects on the mixer or hoses.
- During operation wear protective means, e.g.: protective gloves, projective clothing, and others, according to nature of mixed liquids.
- Observe also all regulations of "Occupational Safety" according to nature of mixed liquids.
- You should dispose the device in special container dedicated for this purpose.

### Instalation to jerry can 25 lit.

