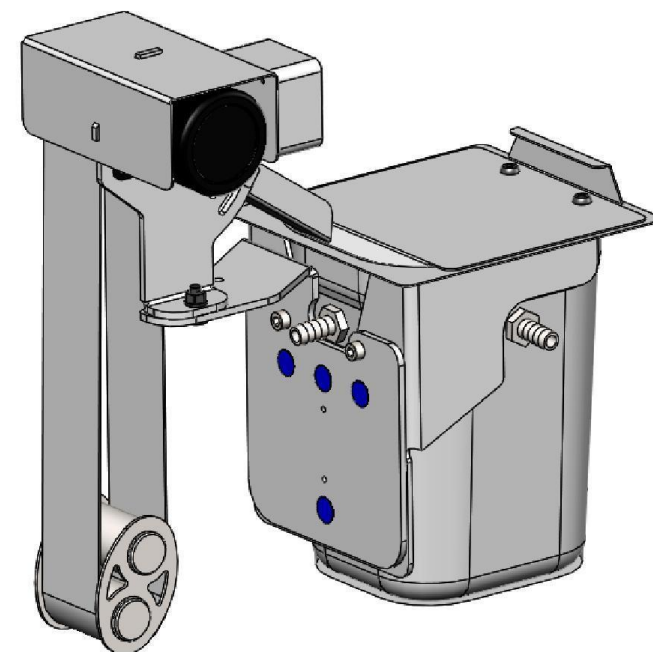
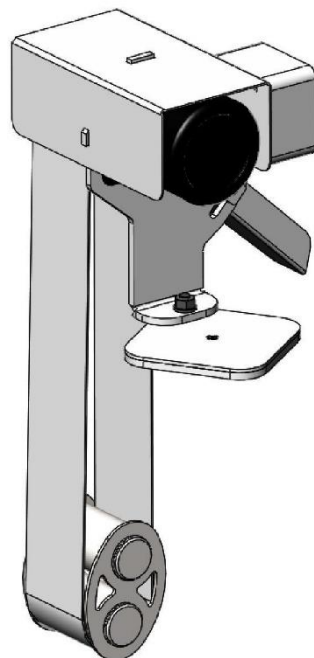
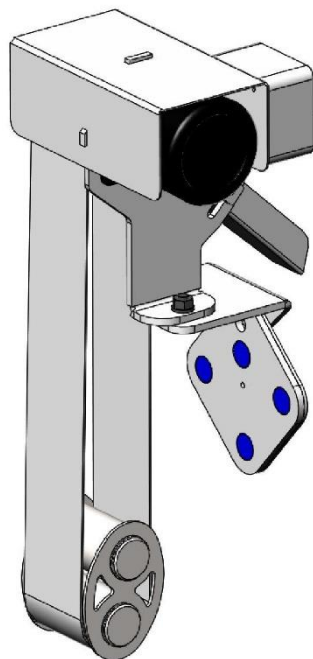


MiniMax

Belt oil skimmer

MiniMax is a belt skimmer designed primarily for separating oil from coolant in machine tools. Of course, it can also be used for other types of liquids, for example, in washing machines, surface treatment lines, and other applications where unwanted surface contaminants accumulate.. For these purposes, a magnetic clamping stand was designed for horizontal and vertical surfaces. It is possible to use various types and lengths of strips with a width of 50mm. The ESO separator is an additional accessory that creates a unified separation device for removing oil and returning the clean emulsion to the machine tank.

Installation options

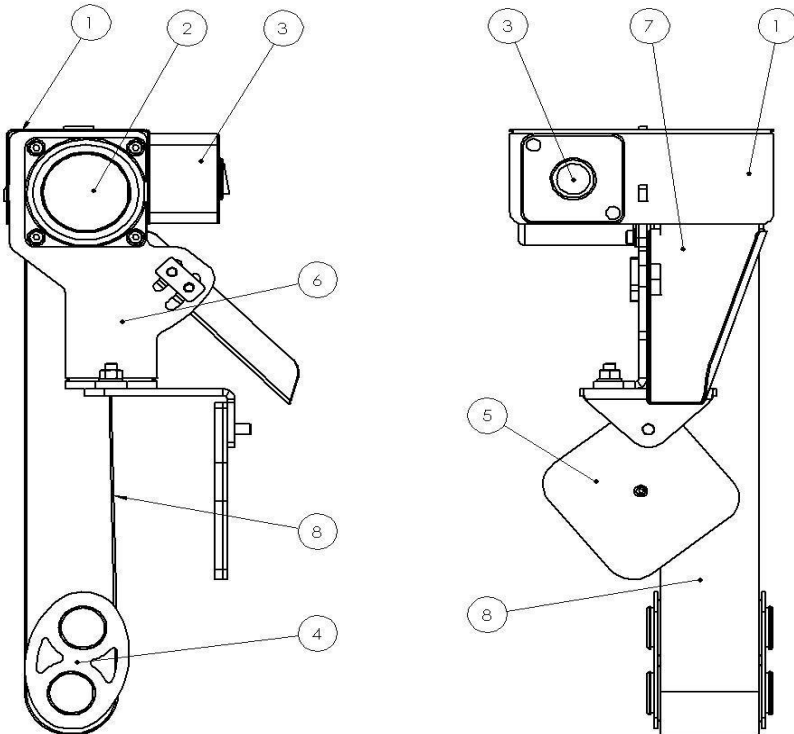
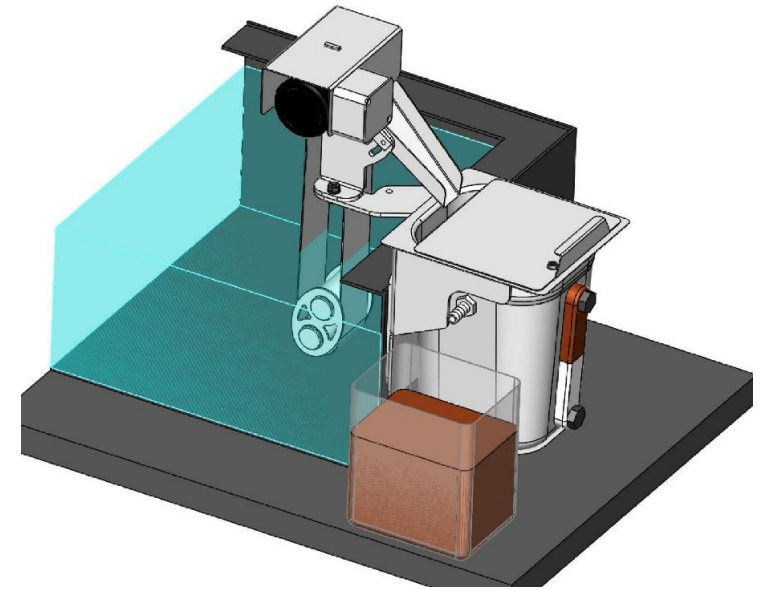


Technical parameters

Dimensions :	133x140x255mm
Working fluids:	water, emulsion, oil, ...
Electrical connection:	230V/50Hz - 110V/60Hz
Working voltage:	24V AC

Benefits of MiniMax

- Extends coolant life (reduces purchasing costs and reduce downtime)
- The output is pure oil that can be sold for recycling (reduces disposal costs)
- Removable, easy to clean
- Easy way to change the belt
- Self-tensioning belt with combined weight
- Easy installation and positioning using a magnetic stand
- Can be used alone or in combination with the ESO separator



Description of device parts

- 1- Drive cover
- 2- Drive
- 3- Switch
- 4- Spinning wheel
- 5- Magnetic mount
- 6- Stand
- 7- Adjustable scraper
- 8- Belt

