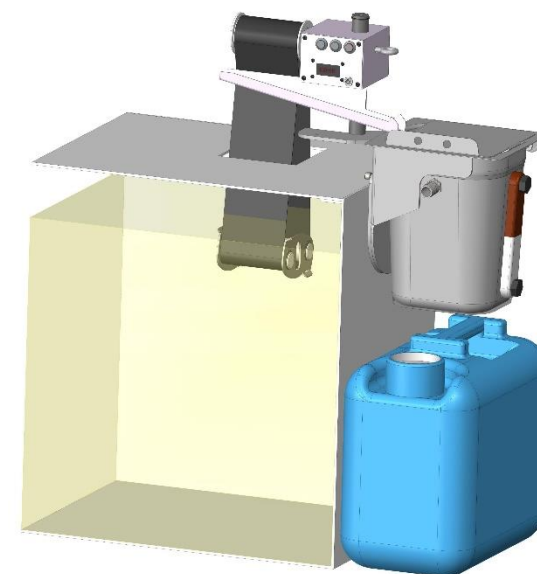
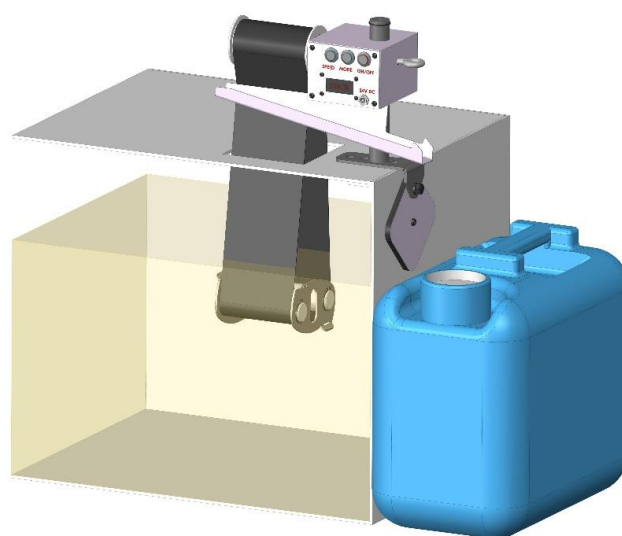
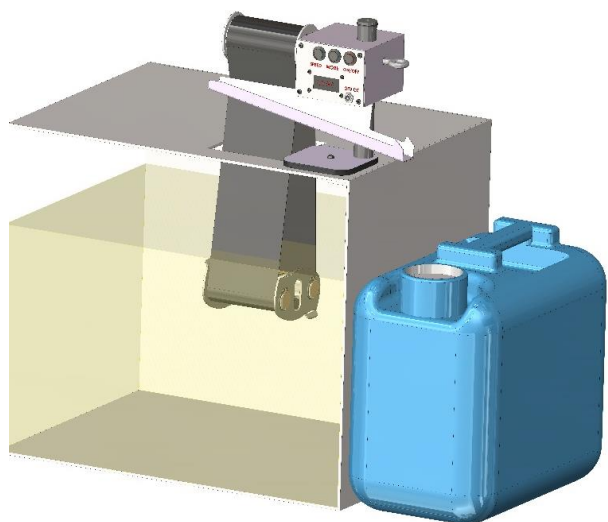


# BOS-E S/M

## Belt oil skimmer with electric speed control

This device is designed to remove separated fats and oils from the surface, most often metalworking fluids. It can also be used on tanks with aqueous solutions where it is necessary to remove other separated impurities from the surface. The device is equipped with electric speed control and is also equipped with magnetic clamping. Individual parts of the device are made of materials or surface-treated materials to resist corrosion and the effects of oils. The device is not suitable for liquids containing alkali. The device is powered from a safe voltage source.

### Installation options



### Technical parameters

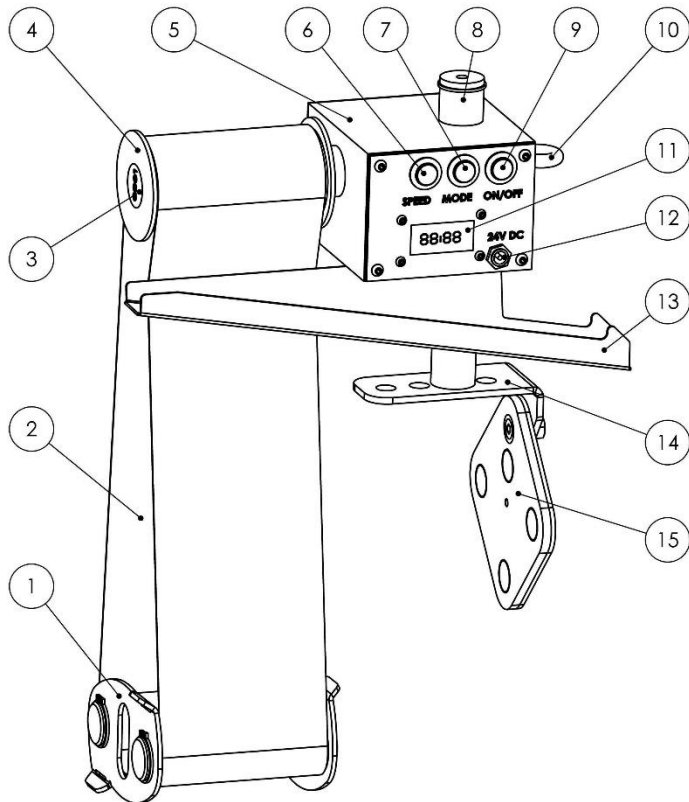
Working fluids: water, emulsion oil, other.  
 Electrical connection: 230V/ 50 Hz  
 Working voltage: 24V DC  
 Speed: 8,1 - 20,1 rpm  
 Belt width: 80mm

BOS-ES BOS-EM		Rotation speed [rpm]
Adjustable speed	r0	8,1
	r1	12,1
	r2	17,2
	r3	20,1

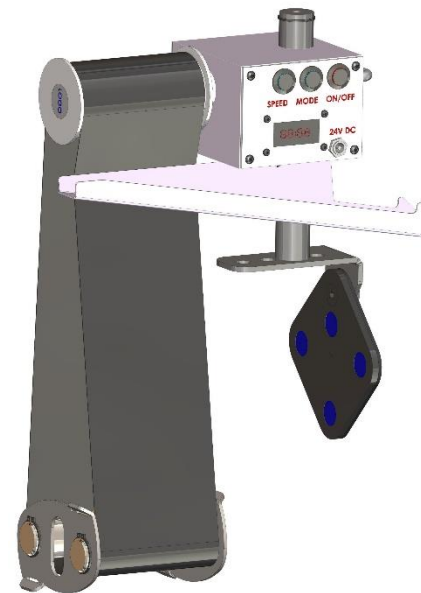
BOS-EM		Work/h	Pause/h
Working mode	P0	1	0
	P1	1	0,5
	P2	1	1
	P3	1	2

## Benefits

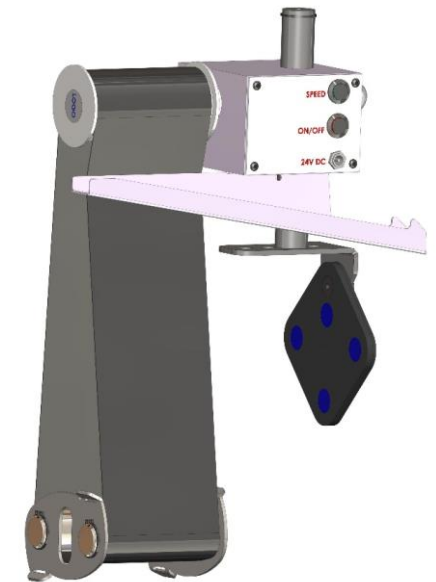
- Extends coolant life
- Removable, easy to clean
- Easy belt replacement
- Easy positioning with magnetic attachment
- Can be used alone or in combination with the ESO separator



**BOS-EM**



**BOS-ES**



## Description of device parts

- |                     |                      |
|---------------------|----------------------|
| 1- Tensioner pulley | 9- On/Off button     |
| 2- Belt             | 10- Locking screw    |
| 3- Logo             | 11- Display          |
| 4- Pulley           | 12- Connector 24V DC |
| 5- Skimmer body     | 13- Wiper blade      |
| 6- Speed button     | 14- Side holder      |
| 7- Mode button      | 15- Magnetic base    |
| 8- Adjustable stand |                      |